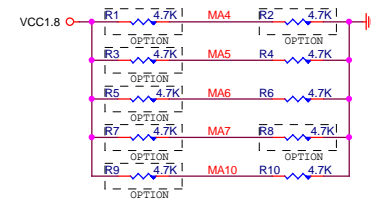
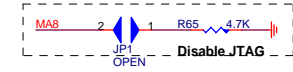


DDR-II DRAM  
 64Mx8x2 =128MB  
 128Mx8x2 =256MB  
 256Mx8x2 =512MB

**HARDWARE STRAP**



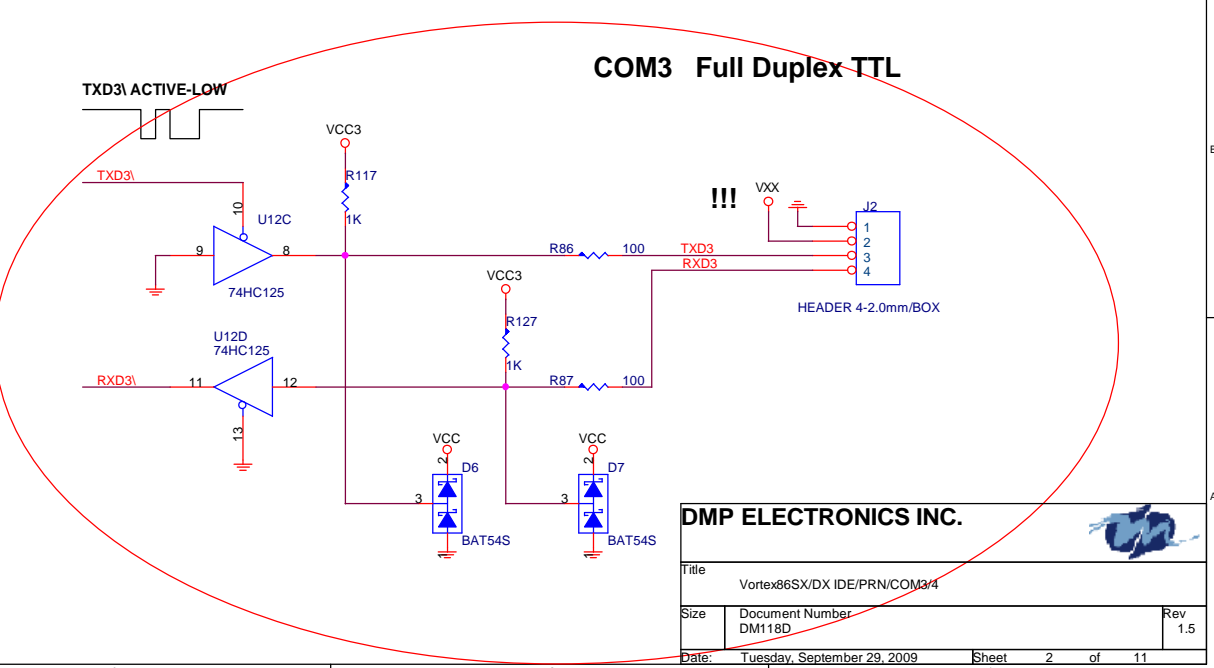
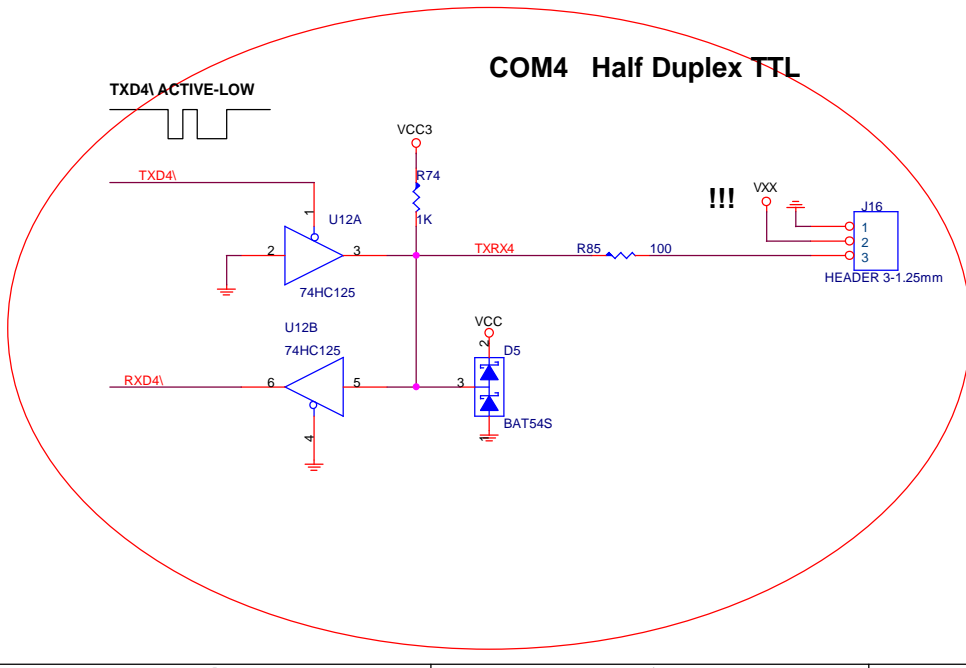
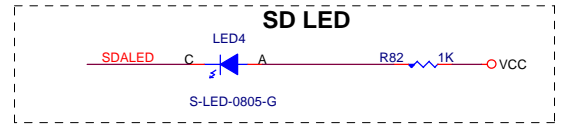
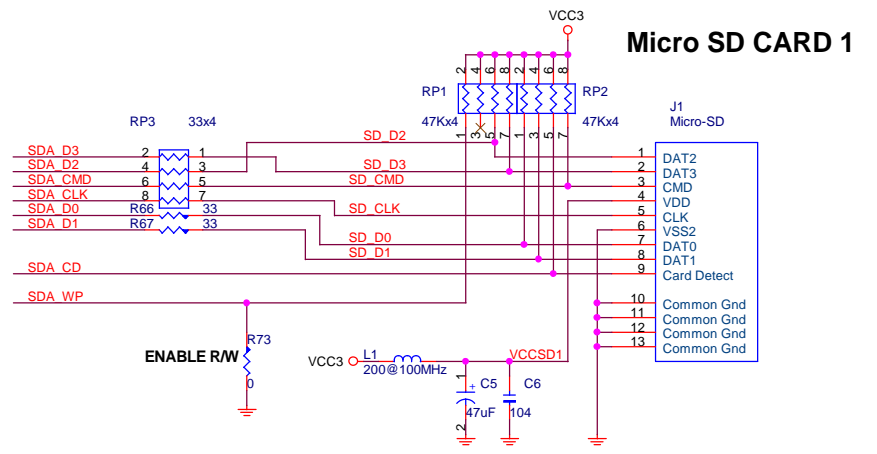
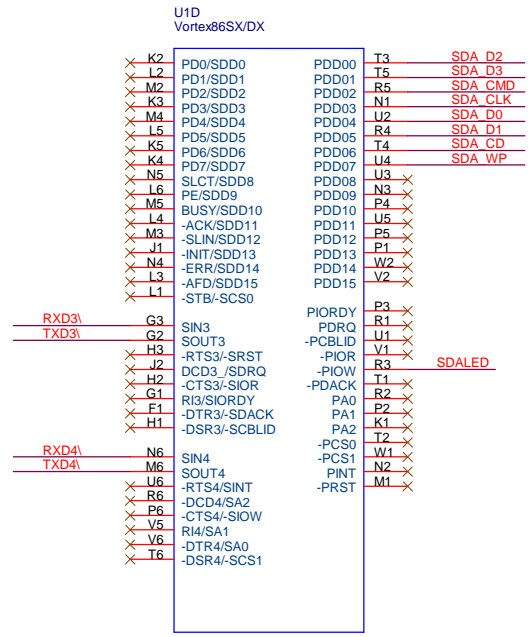
CPU 1.0GHz , DRAM 300MHz Default



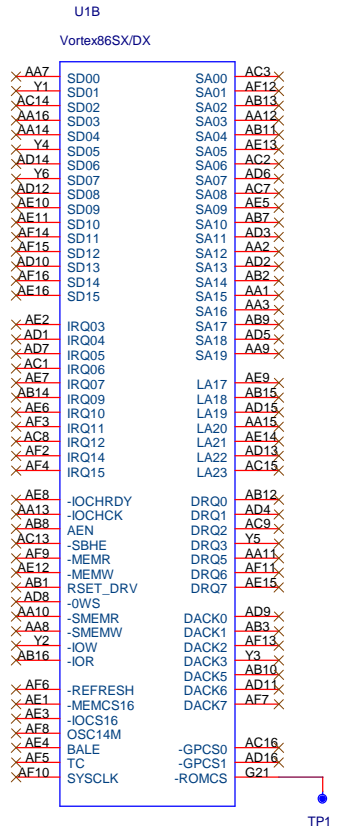
PCB NO. DM118D RB-100  
 Vortex86DX Roboard-100  
 VER :1.5

**DMP ELECTRONICS INC.**  
 www.vortex86dx.com

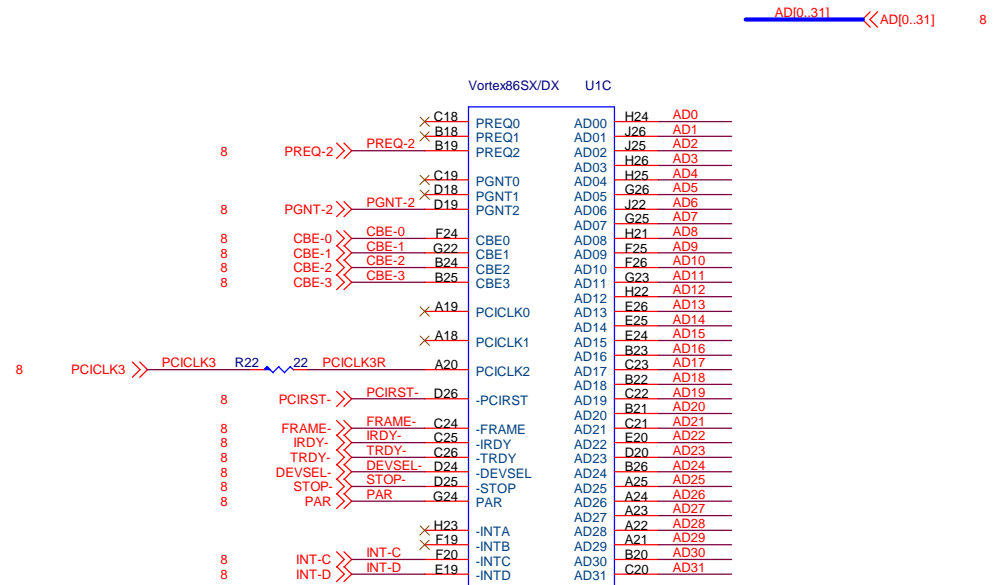
Title Vortex86DX DDR-II Memory		
Size	Document Number DM118D	Rev 1.5
Date:	Tuesday, September 29, 2009	Sheet 1 of 11



# ISA BUS



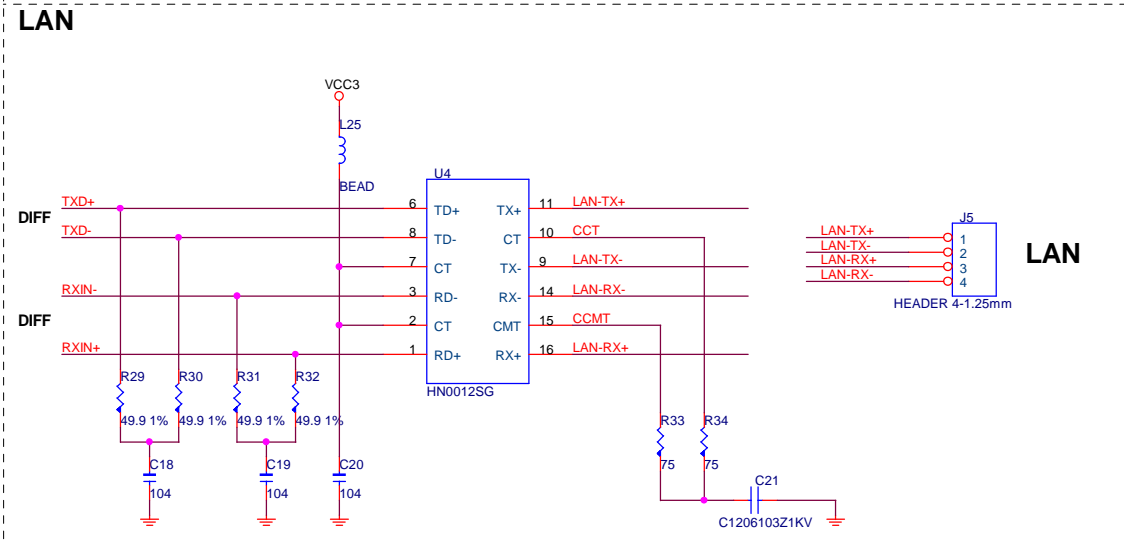
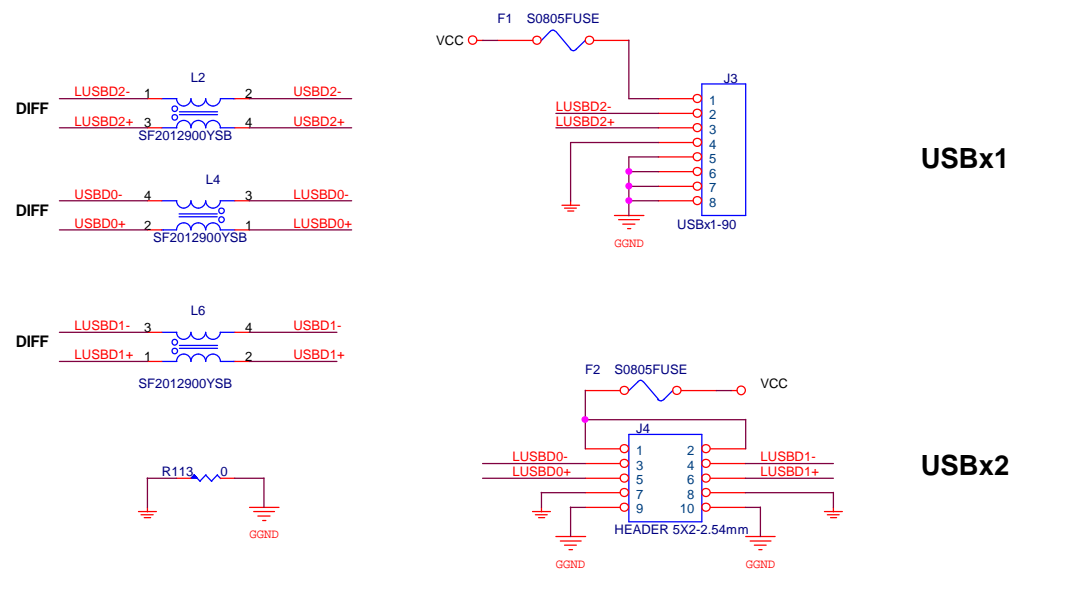
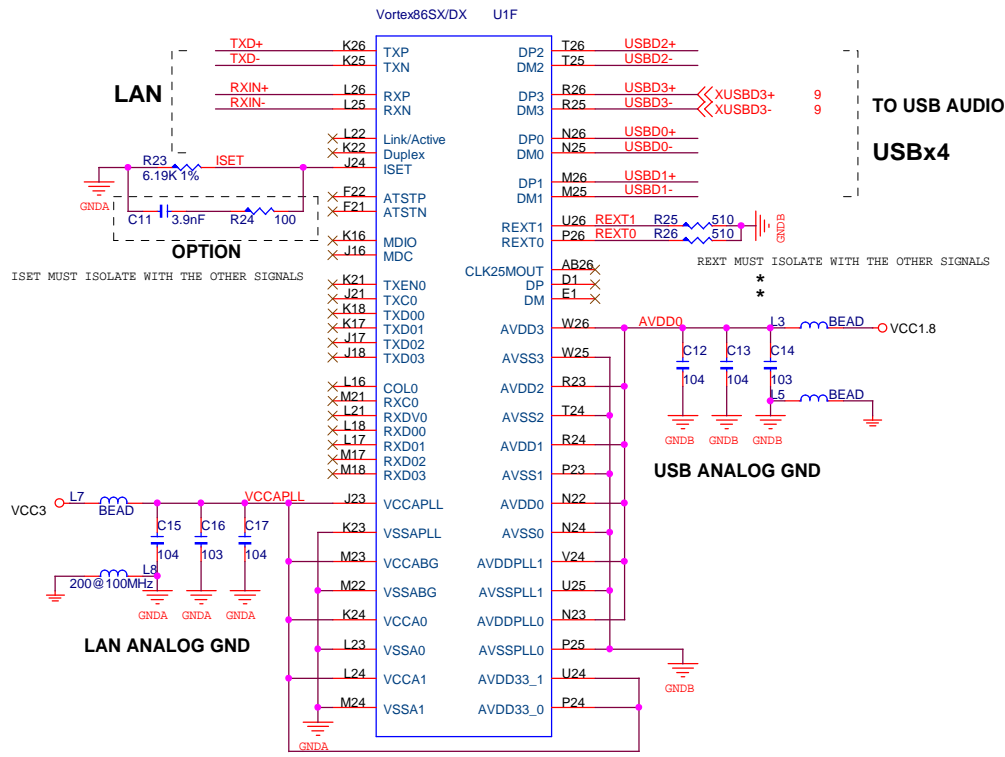
# PCI BUS

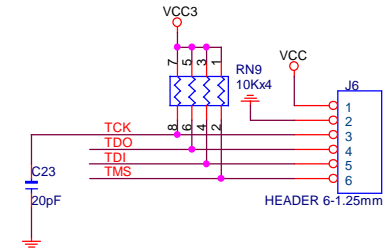
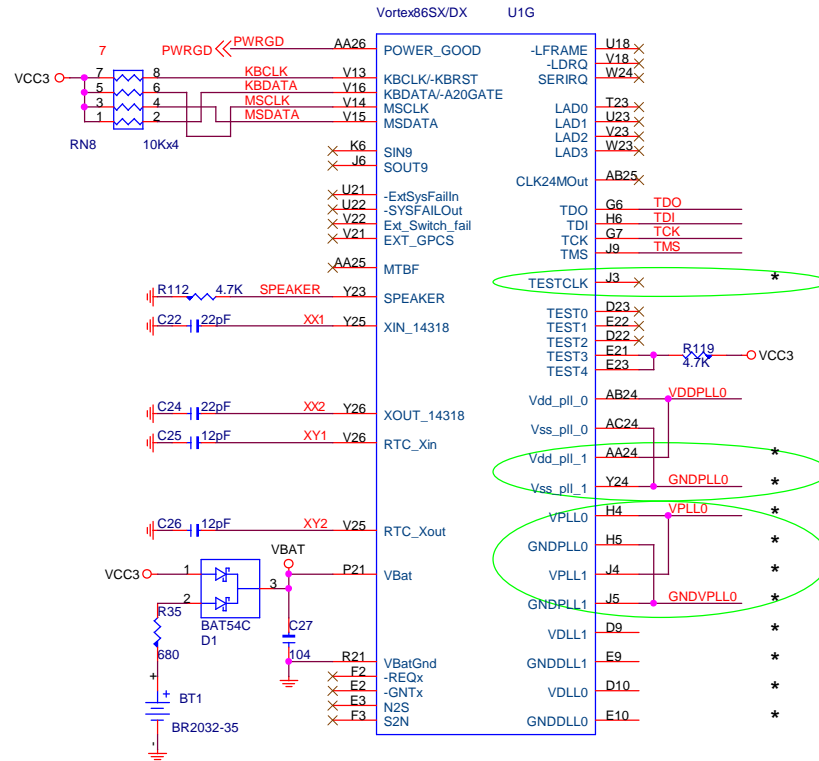


DMP ELECTRONICS INC.

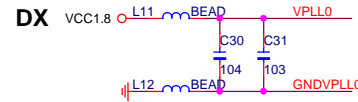
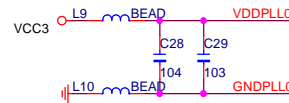
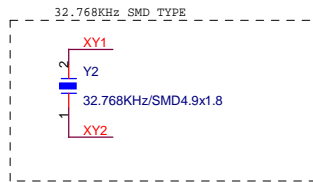
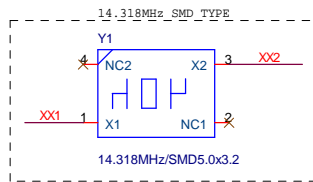


Title		
Vortex86SX/DX PCI/ISA BUS		
Size	Document Number	Rev
	DM118D	1.5
Date:	Tuesday, September 29, 2009	Sheet 3 of 11





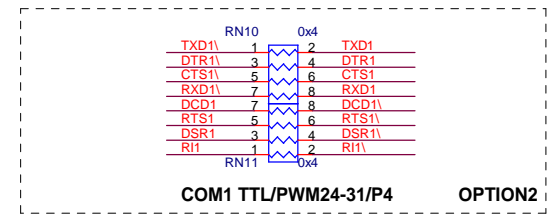
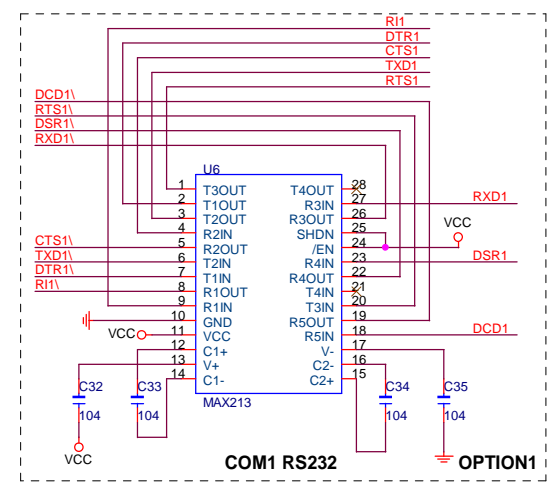
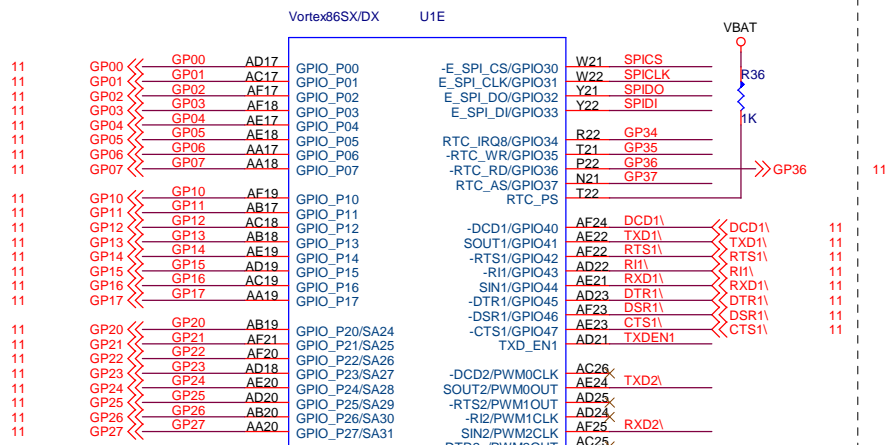
**JTAG**



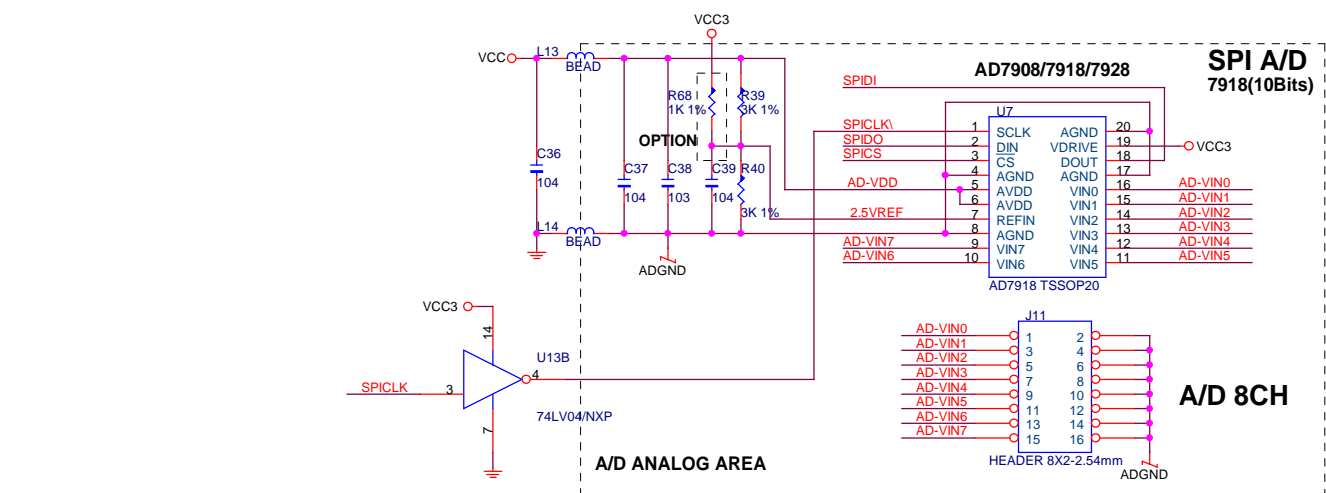
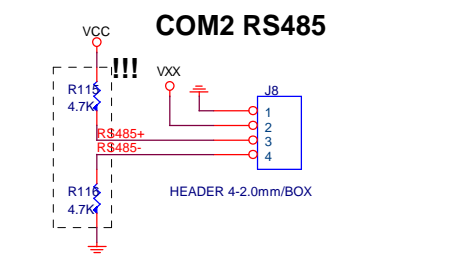
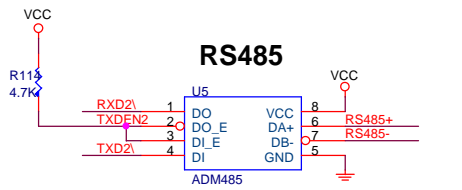
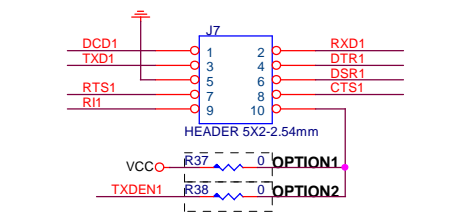
**DMP ELECTRONICS INC.**



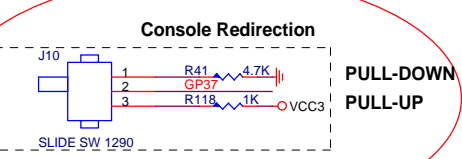
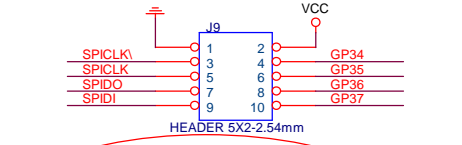
Title		Vortex86SX/DX KBD/MS/LPC/JTAG
Size	Document Number	Rev
	DM118D	1.5
Date:	Tuesday, September 29, 2009	Sheet 5 of 11



**COM1-TTL/RS232/PWM24-31/P4**



**P30-33/SPI P34-37/I2C**



**DMP ELECTRONICS INC.**

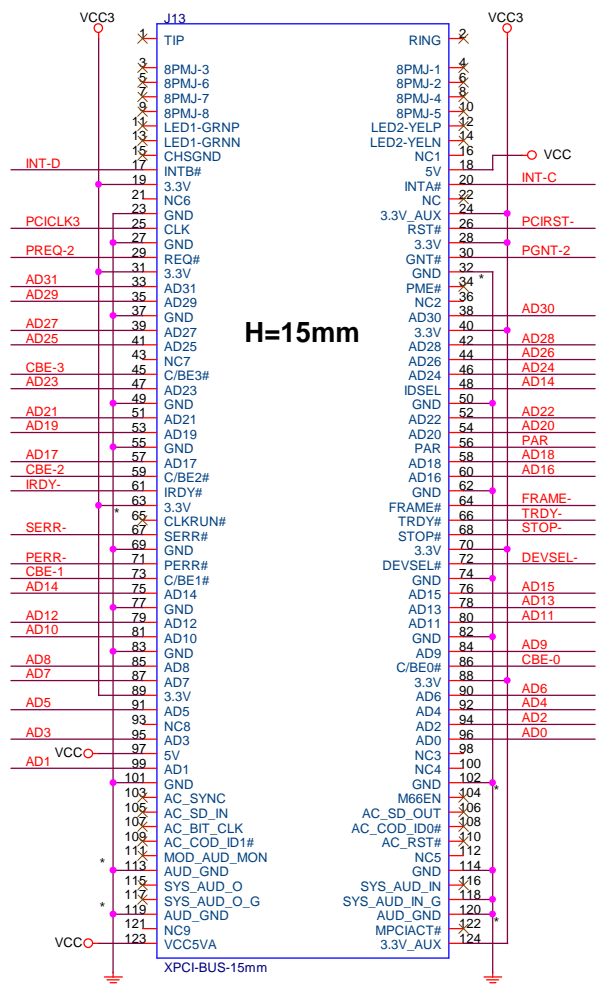
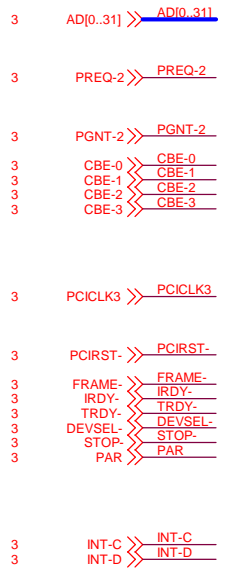
Title: Vortex86SX/DX GPIO/COM/PWM

Size: Document Number DM118D	Rev: 1.5
Date: Tuesday, September 29, 2009	Sheet: 6 of 11



# MINI-PCI TYPE-III

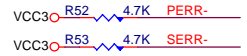
## PCI BUS



H=15mm

XPCI-BUS-15mm

**AD14**  
**PGNT-2**  
**PREQ-2**  
**INT-C/D**



**DMP ELECTRONICS INC.**

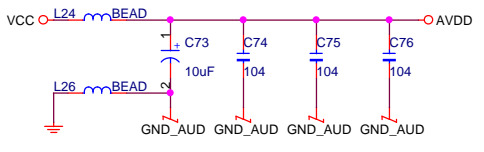
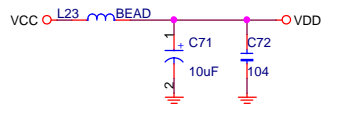
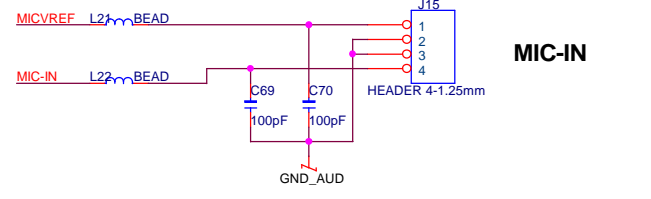
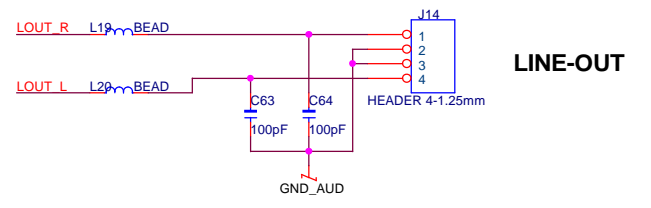
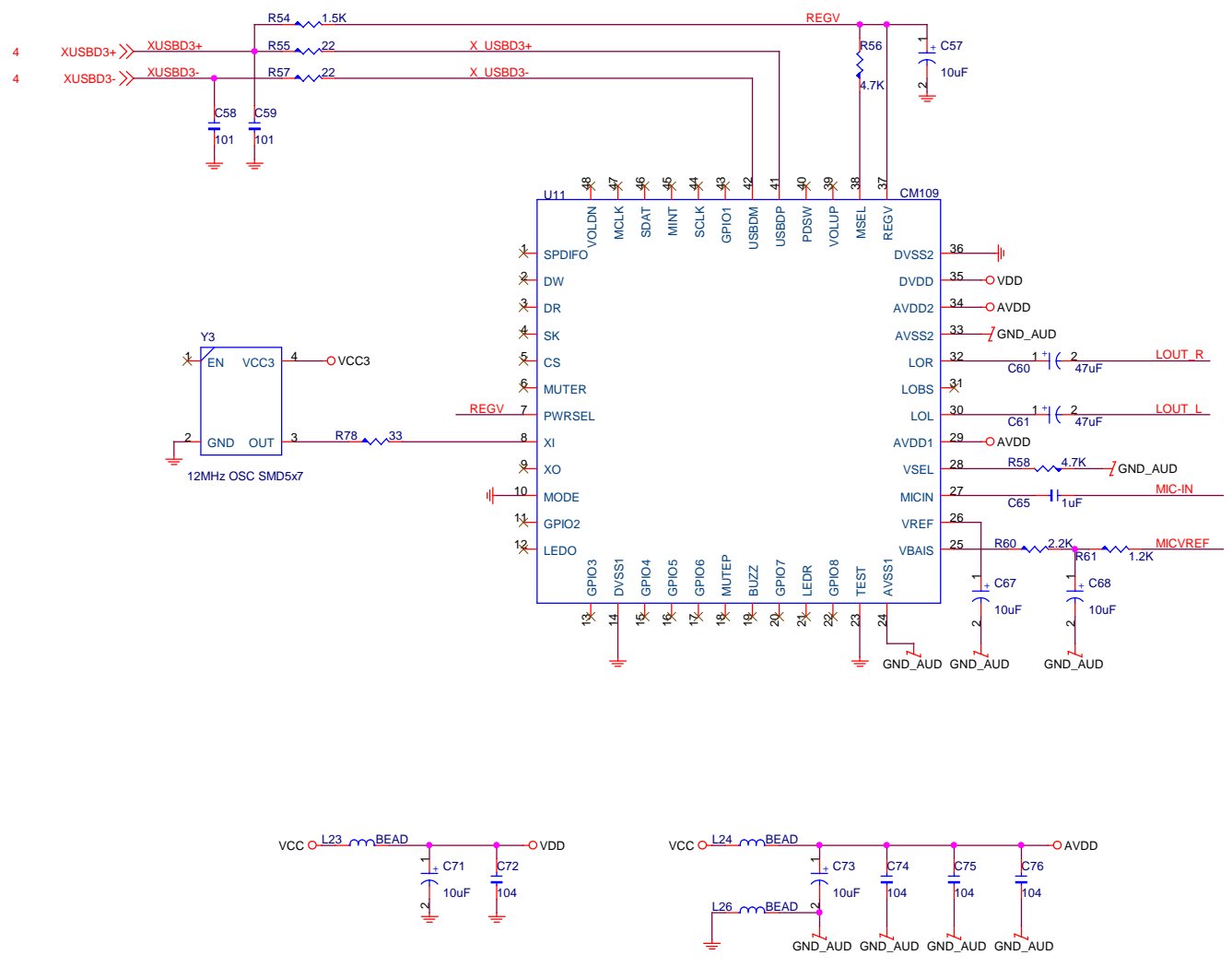
Title: Vortex86SX/DX PCI SLOT/MINI PCI

Size: Document Number DM118D Rev 1.5

Date: Tuesday, September 29, 2009 Sheet 8 of 11

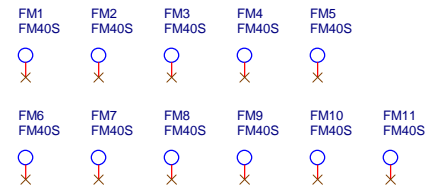
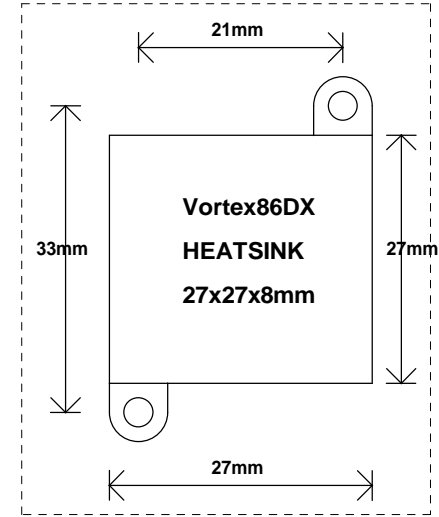
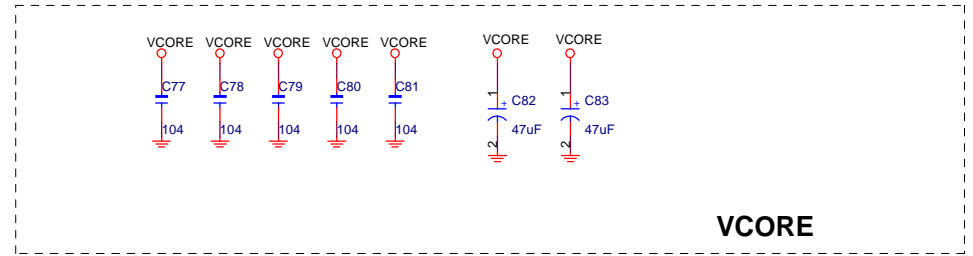
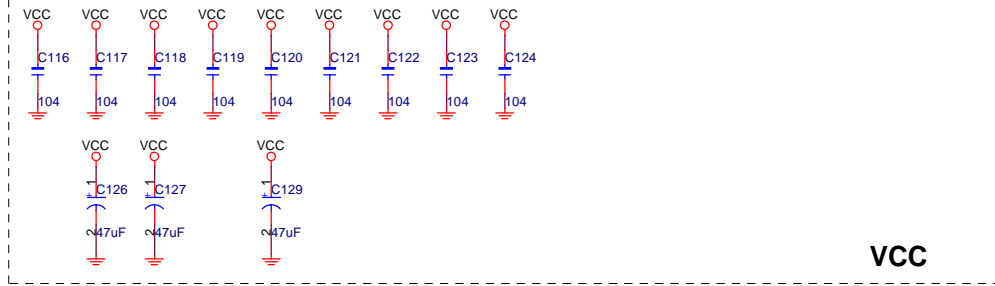
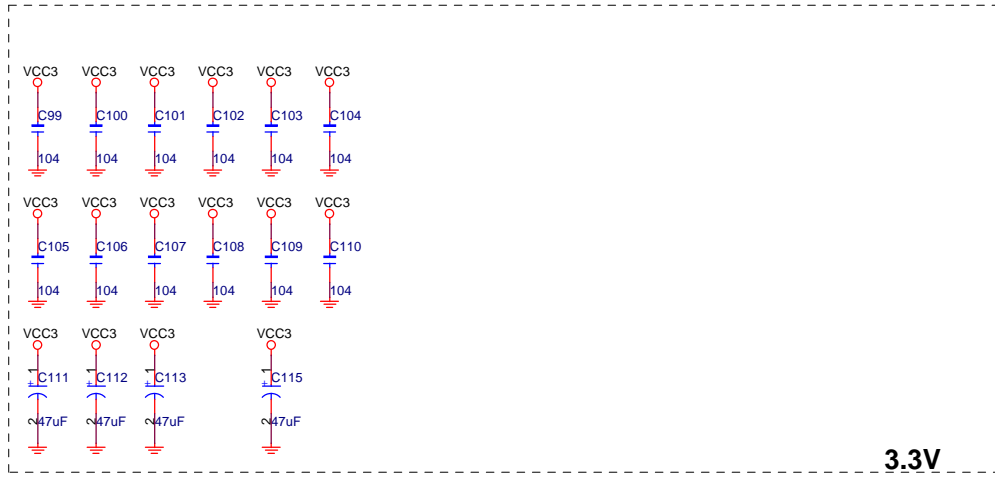
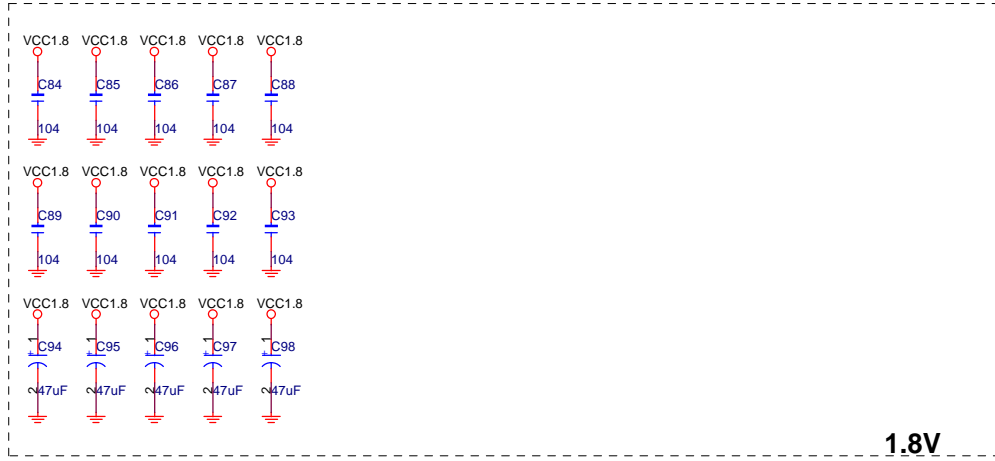


# USB AUDIO



<b>DMP ELECTRONICS INC.</b>		
Title: USB AUDIO CM109		
Size: DM118D	Document Number: DM118D	Rev: 1.5
Date: Tuesday, September 29, 2009	Sheet: 9	of 11

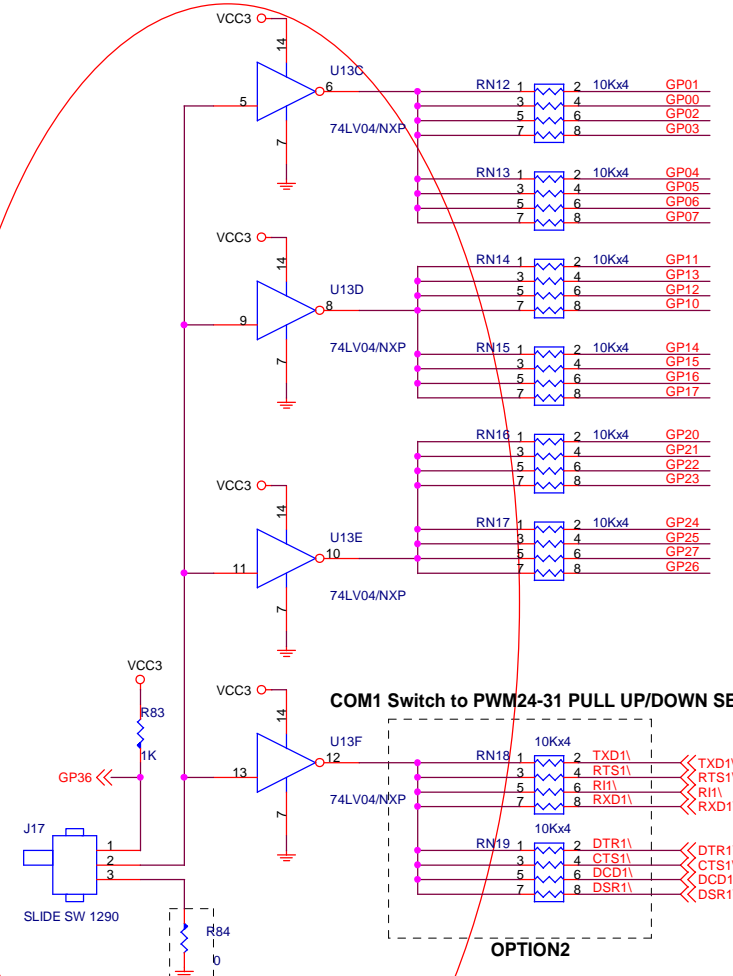
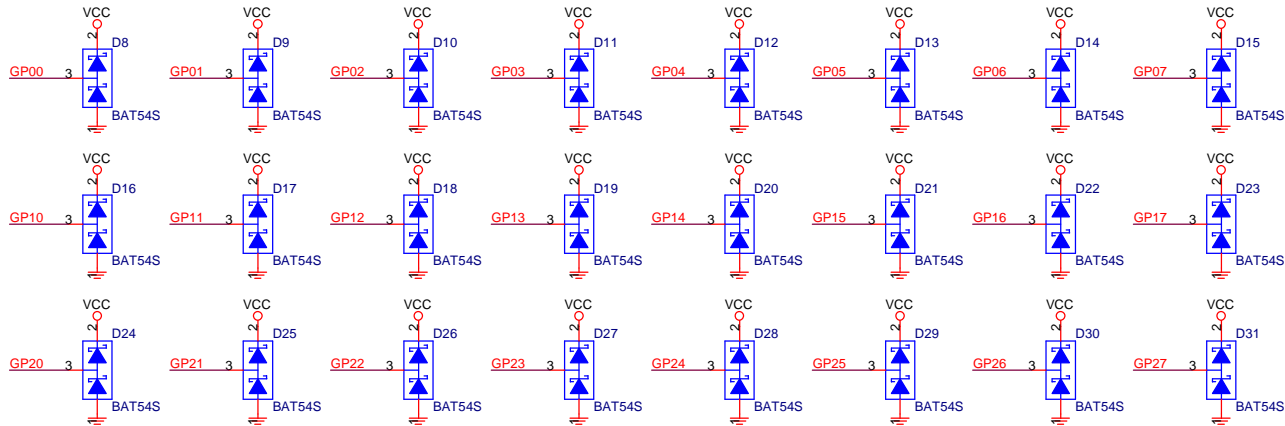
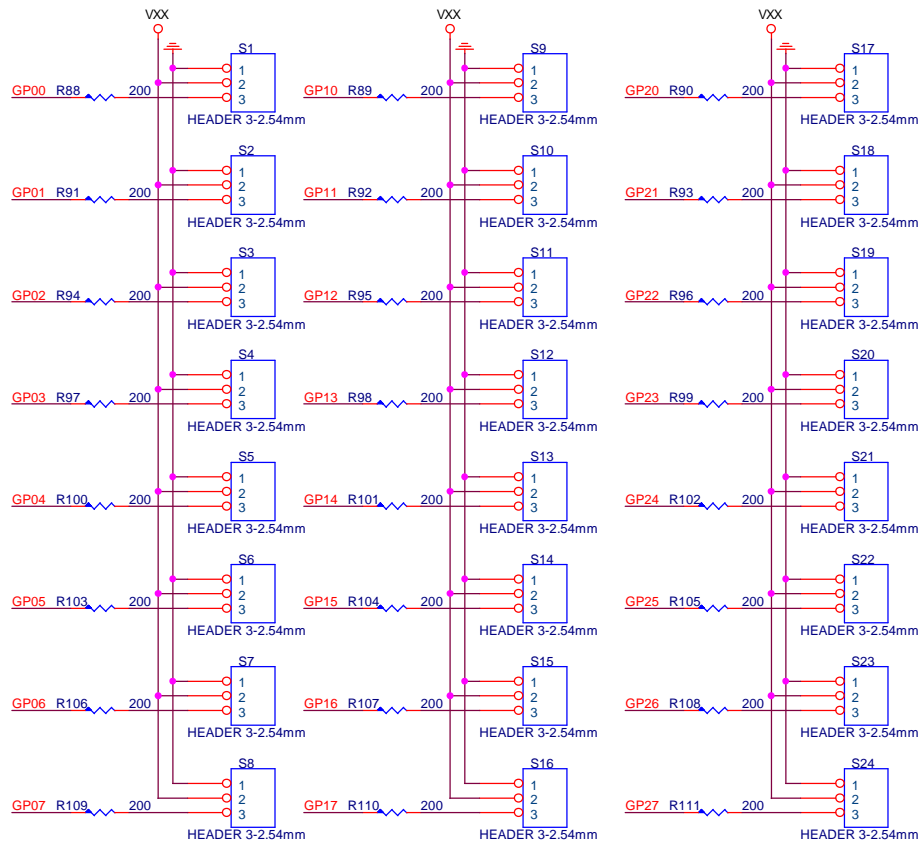
# BYPASS



<b>DMP ELECTRONICS INC.</b>		
Title: BYPASS		
Size: DM118D	Document Number: DM118D	Rev: 1.5
Date: Tuesday, September 29, 2009	Sheet: 10	of 11

- 6 GP00 << GP00
- 6 GP01 << GP01
- 6 GP02 << GP02
- 6 GP03 << GP03
- 6 GP04 << GP04
- 6 GP05 << GP05
- 6 GP06 << GP06
- 6 GP07 << GP07
  
- 6 GP10 << GP10
- 6 GP11 << GP11
- 6 GP12 << GP12
- 6 GP13 << GP13
- 6 GP14 << GP14
- 6 GP15 << GP15
- 6 GP16 << GP16
- 6 GP17 << GP17
  
- 6 GP20 << GP20
- 6 GP21 << GP21
- 6 GP22 << GP22
- 6 GP23 << GP23
- 6 GP24 << GP24
- 6 GP25 << GP25
- 6 GP26 << GP26
- 6 GP27 << GP27

**P00-P27/PWM0-23**



**ON: PWM POWER ON PULL DOWN**  
**OFF: PWM PULL UP ALWAYS**

**DMP ELECTRONICS INC.**

Title		PWMx24	Rev 1.5
Size	Document Number DM118D		
Date:	Tuesday, September 29, 2009	Sheet	11 of 11