

GP27:I2C I/F RESET
 GP36:PWM POWER ON SETTING
 GP37:CONSOLE REDIRECTION SETTING

PCB NO. DM169
Vortex86DX Roboard-050
VER :0.3

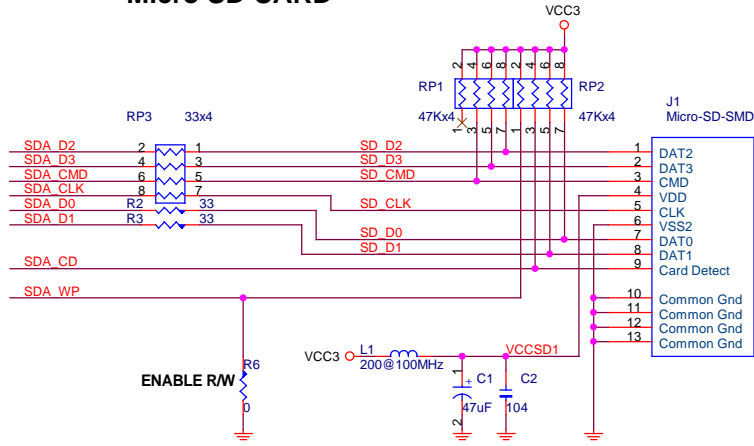
DMP ELECTRONICS INC.			
Title: DX SLOT			
Size: DM169	Document Number: DM169	www.vortex86dx.com	Rev: 0.3
Date: Friday, January 07, 2011	Sheet: 1	of: 6	

Micro SD CARD

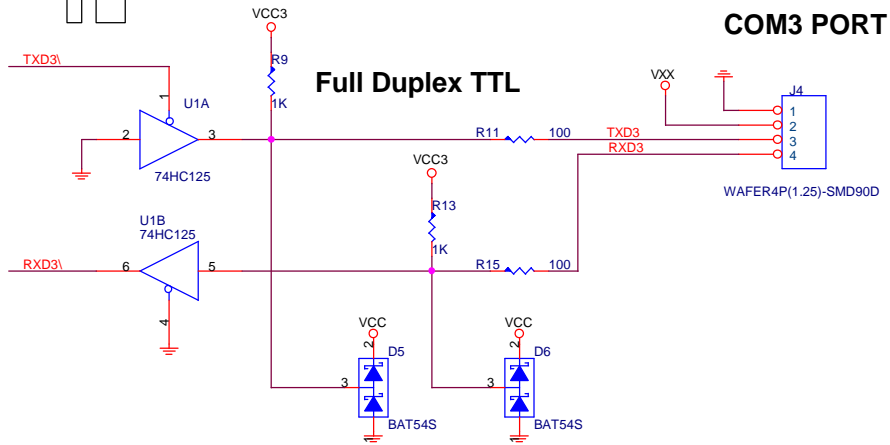
- 1 TXD4 << TXD4
- 1 RXD4 << RXD4

- 1 TXD3 << TXD3
- 1 RXD3 << RXD3

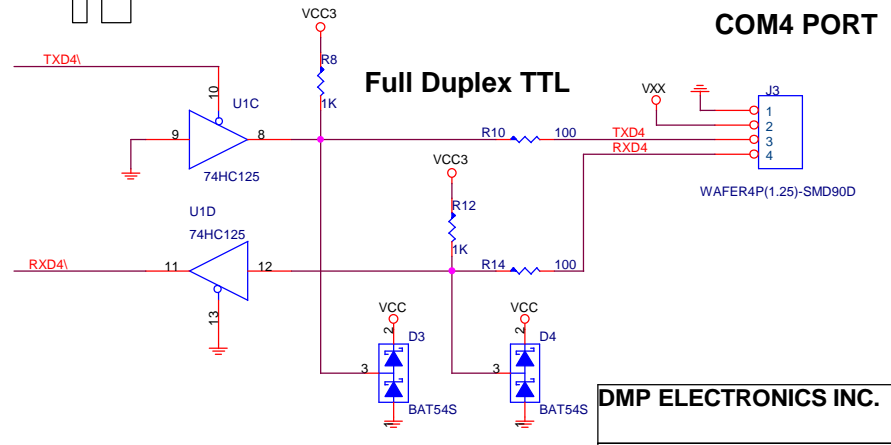
- 1 SDA_D3 << SDA_D3
- 1 SDA_CMD << SDA_CMD
- 1 SDA_D2 << SDA_D2
- 1 SDA_D3 << SDA_D3
- 1 SDA_CMD << SDA_CMD
- 1 SDA_CLK << SDA_CLK
- 1 SDA_D0 << SDA_D0
- 1 SDA_D1 << SDA_D1
- 1 SDA_CD << SDA_CD
- 1 SDA_WP << SDA_WP



TXD3 ACTIVE-LOW



TXD4 ACTIVE-LOW

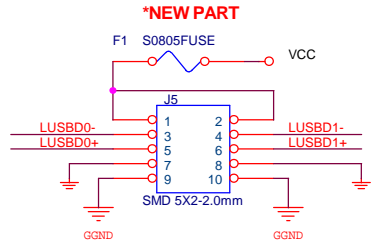
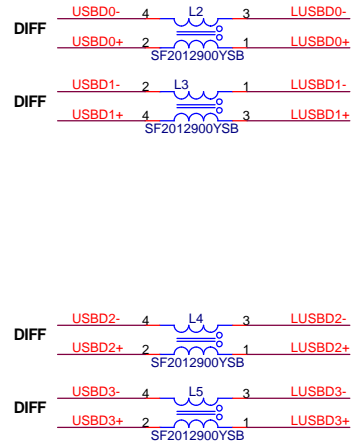


DMP ELECTRONICS INC.

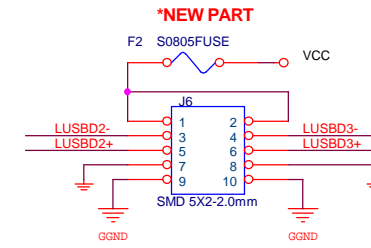
Title		
COM3/4/9/SD_CARD		
Size	Document Number	Rev
DM169		0.3
Date:	Friday, January 07, 2011	Sheet 2 of 6

- 1 USBD0- <<< USBD0-
- 1 USBD0+ <<< USBD0+
- 1 USBD1- <<< USBD1-
- 1 USBD1+ <<< USBD1+
- 1 USBD2- <<< USBD2-
- 1 USBD2+ <<< USBD2+
- 1 USBD3- <<< USBD3-
- 1 USBD3+ <<< USBD3+
- 1 TXD+ <<< TXD+
- 1 TXD- <<< TXD-
- 1 RXIN- <<< RXIN-
- 1 RXIN+ <<< RXIN+

USB

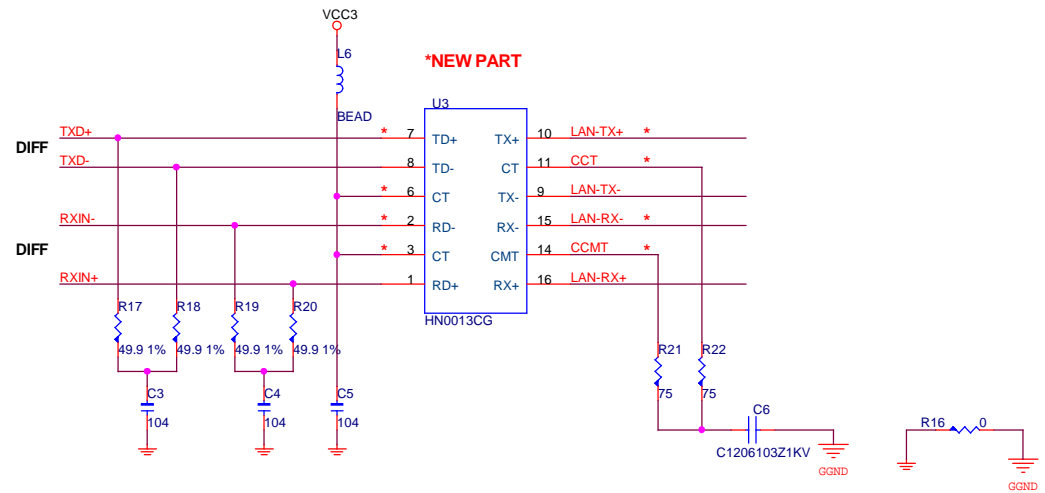


USB 0-1 PORT

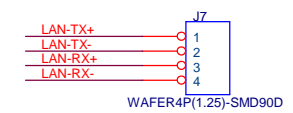


USB 2-3 PORT

LAN



LAN PORT



DMP ELECTRONICS INC.

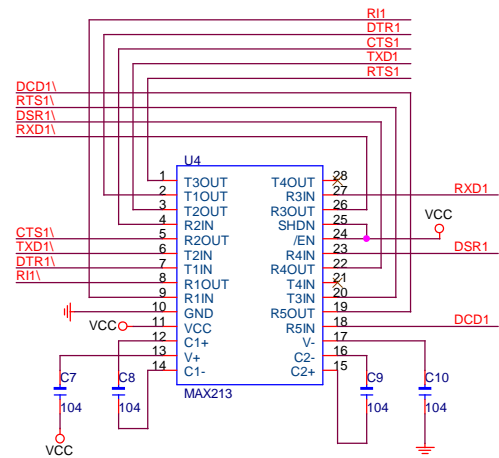
Title LAN/USB		
Size	Document Number DM169	Rev 0.3
Date:	Friday, January 07, 2011	Sheet 3 of 6



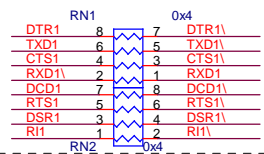
- 1 DCD1 >> DCD1
- 1 RTS1 >> RTS1
- 1 DSR1 >> DSR1
- 1 RXD1 >> RXD1
- 1 CTS1 >> CTS1
- 1 TXD1 >> TXD1
- 1 DTR1 >> DTR1
- 1 RI1 >> RI1
- 1 TXDEN1 >> TXDEN1

- 1 TXDEN2 >> TXDEN2
- 1 TXD2 >> TXD2
- 1 RXD2 >> RXD2

COM1 RS232 OPTION1



COM1 TTL OPTION2

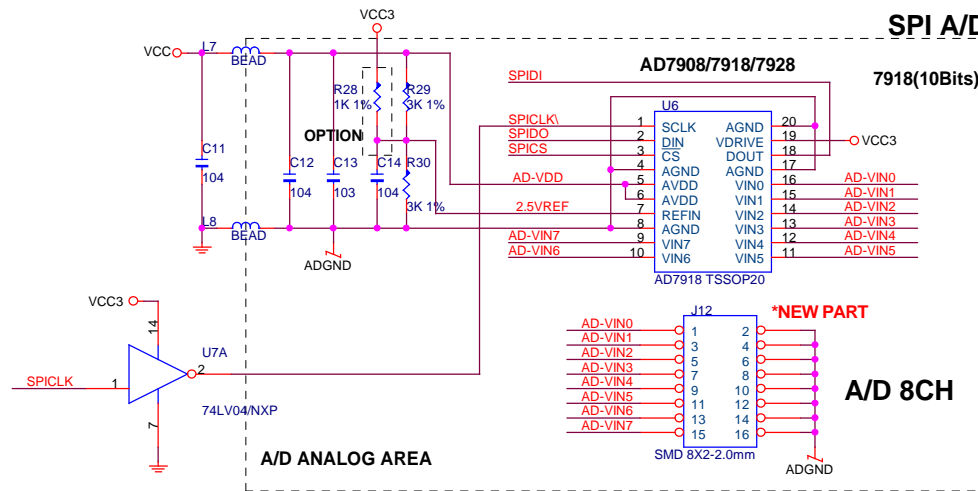


- 1 SPICLK >> SPICLK
- 1 SPIDI >> SPIDI
- 1 SPIDO >> SPIDO
- 1 SPICS >> SPICS

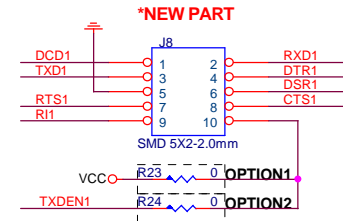
- 1 SCL >> SCL
- 1 SDA >> SDA
- 1.5 GP27 >> GP27

- 1 GP37 >> GP37

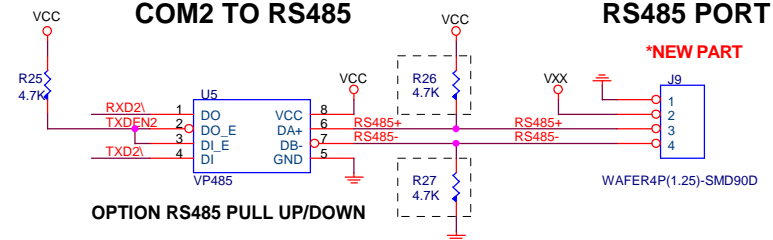
SPI A/D



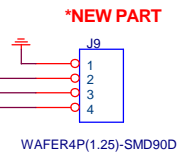
COM1 PORT



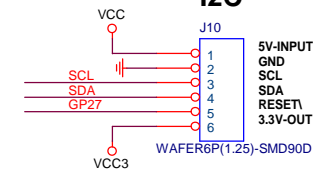
COM2 TO RS485



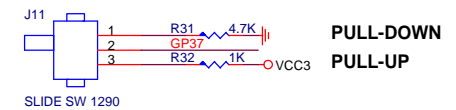
RS485 PORT



I2C



Console Redirection



DMP ELECTRONICS INC.

Title AD/COM1/485/PWM/I2C

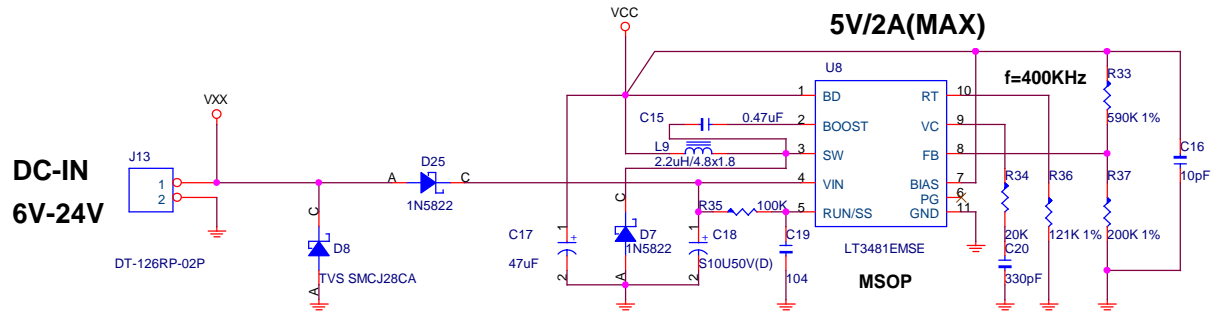
Size Document Number DM169

Date: Friday, January 07, 2011

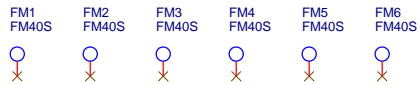
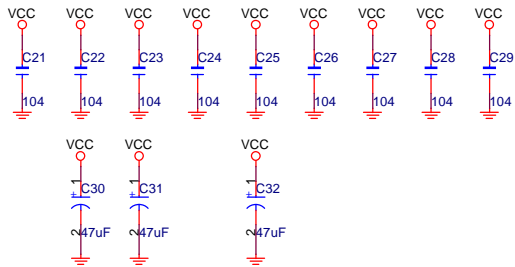
Sheet 4 of 6

Rev 0.3

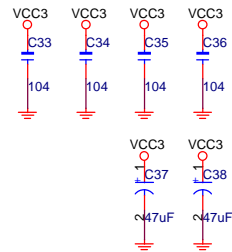
SYSTEM POWER



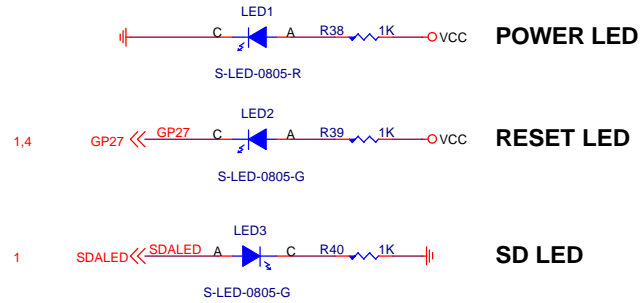
VCC BYPASS



VCC3 BYPASS



LED



DMP ELECTRONICS INC.



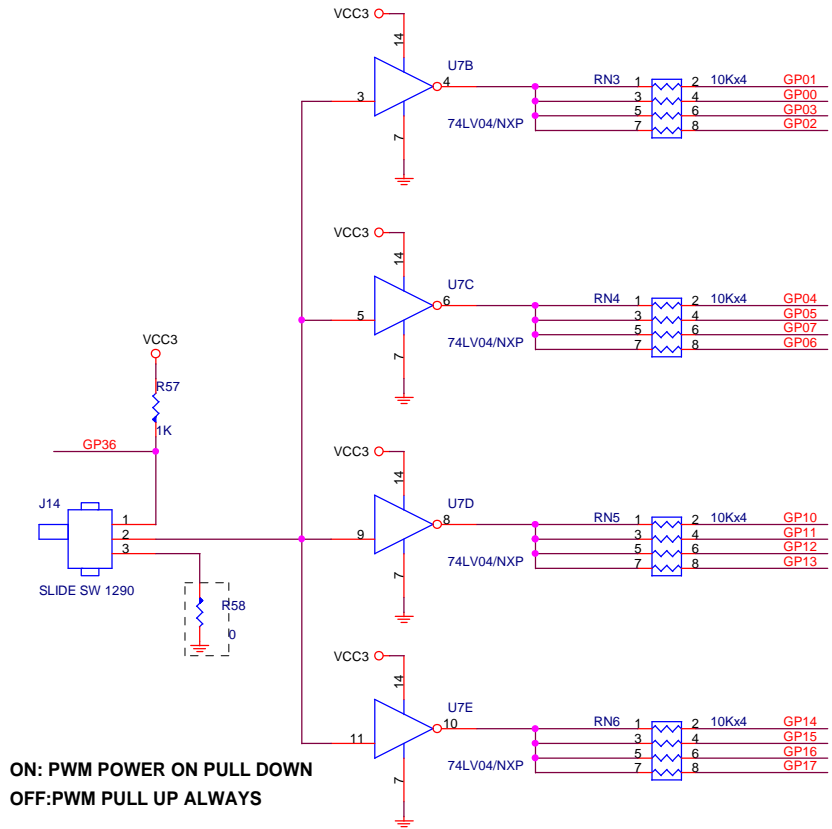
Title		POWER/BYPASS/LED
Size	Document Number	Rev
	DM169	0.3
Date:	Friday, January 07, 2011	Sheet 5 of 6

P00-P17/PWM0-15

- 1 GP00 <<< GP00
- 1 GP01 <<< GP01
- 1 GP02 <<< GP02
- 1 GP03 <<< GP03
- 1 GP04 <<< GP04
- 1 GP05 <<< GP05
- 1 GP06 <<< GP06
- 1 GP07 <<< GP07

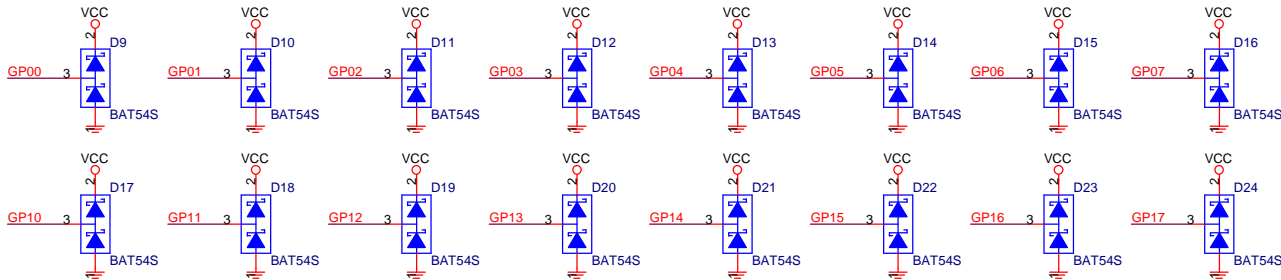
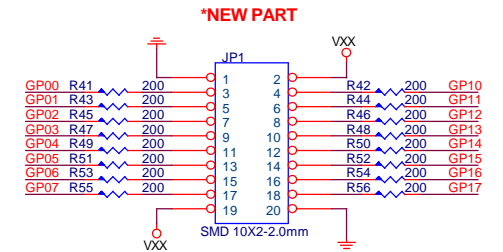
- 1 GP10 <<< GP10
- 1 GP11 <<< GP11
- 1 GP12 <<< GP12
- 1 GP13 <<< GP13
- 1 GP14 <<< GP14
- 1 GP15 <<< GP15
- 1 GP16 <<< GP16
- 1 GP17 <<< GP17

- 1 GP36 <<< GP36



ON: PWM POWER ON PULL DOWN
OFF: PWM PULL UP ALWAYS

PWM0-15 PORT



DMP ELECTRONICS INC.		
Title: PWMx16		
Size: Document Number	DM169	Rev: 0.3
Date: Friday, January 07, 2011	Sheet: 6	of 6