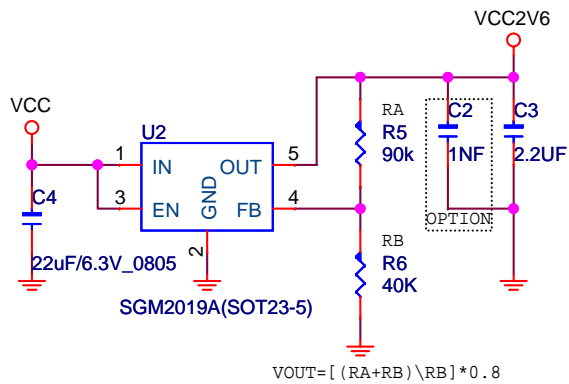
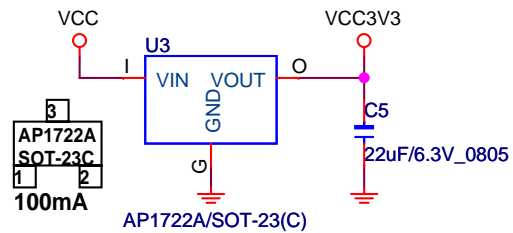


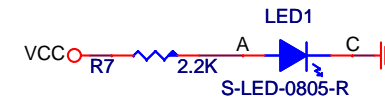
### POWER: 2.6V/200mA



### POWER: 3.3V/100mA



### Power LED



**PCB NO. DM212**  
**I2C 16\*4 IR Array Sensor**  
**VER :0.3**

**DMP ELECTRONICS INC.**



Title		
I2C 16*4 IR Array Sensor		
Size	Document Number	Rev
	DM212	0.3
Date:	Thursday, October 18, 2012	Sheet 1 of 1