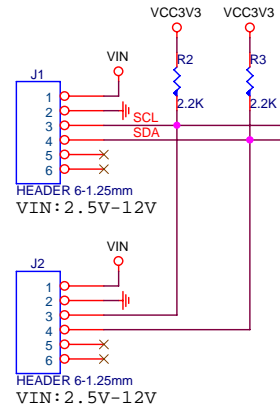
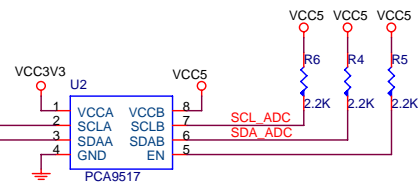


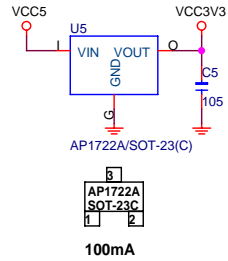
### INPUT CONNECTOR



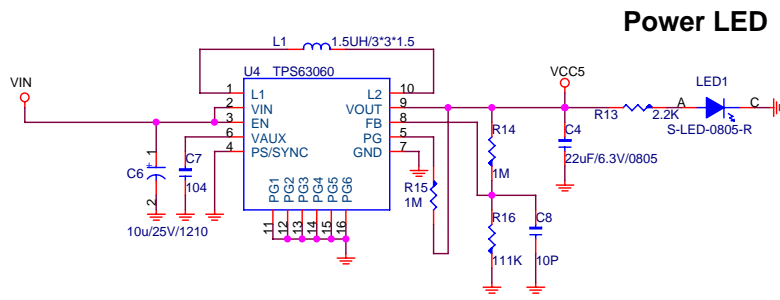
### LEVEL SHIFTER



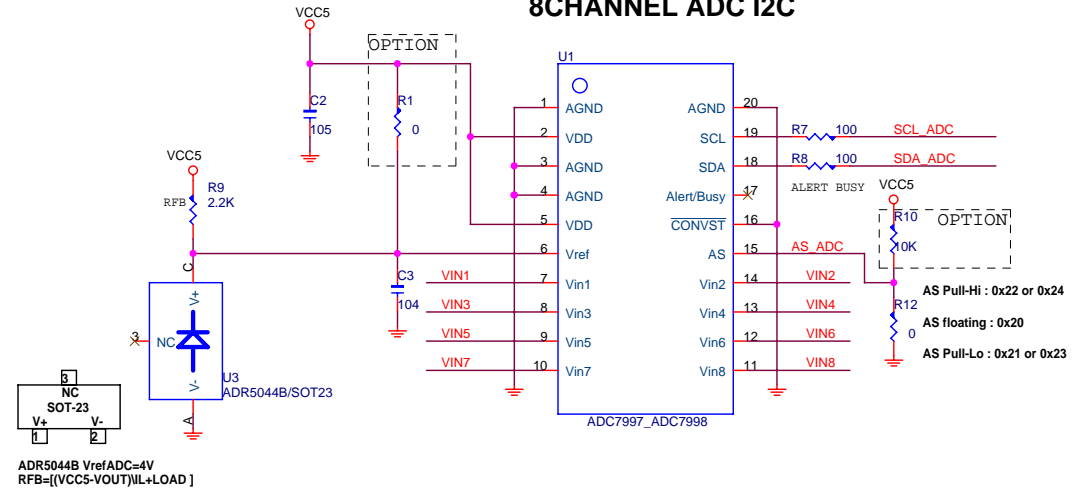
### POWER:3.3V/100mA



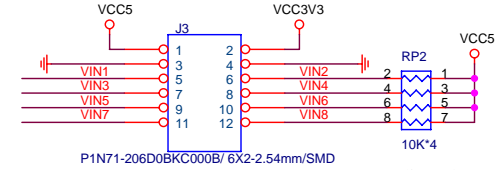
### POWER:5V/800mA



### 8CHANNEL ADC I2C



### 2.54MM 12PIN

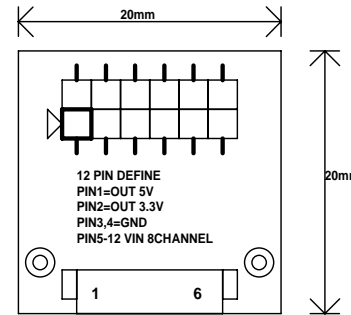


#### APPLICATION

Reference FSR-402 FORCE SENSING RESISTANCE

#### APPLICATION

LEGO NXT LIGHT/TOUCH/SOUND/SENSOR



- 6 PIN 1.25mm FOR RB-100 & USER DEFINE
- 1.2.5V-12V INPUT
- 2.GND
- 3.SCL
- 4.SDA
- 5.6.NC

**PCB NO. DM211**  
**I2C ADC MODULE**  
**VER :0.4**

**DMP ELECTRONICS INC.**

Title		
I2C ADC MODULE		
Size	Document Number	Rev
	DM211	0.4
Date:	Thursday, October 18, 2012	Sheet 1 of 1